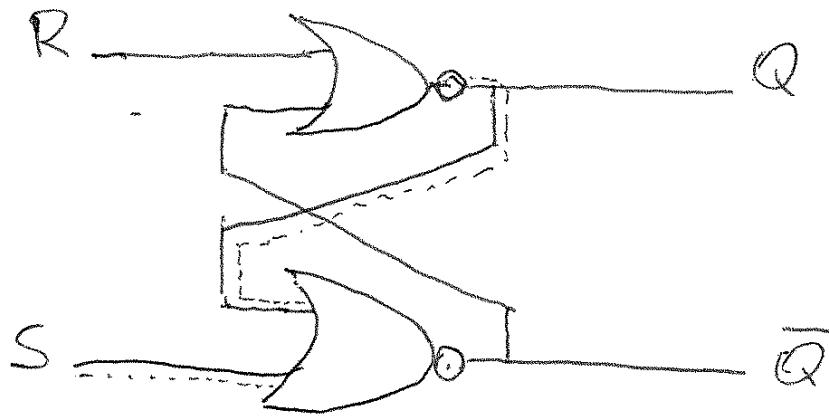


## Recurrent flows SR-flip-flop



NOR-Gates

S ... "Set"      R ... "Reset"

1)  $S=1$  and  $R=\emptyset \Rightarrow Q=1$  and  $\bar{Q}=\emptyset$

2) Set  $S=\emptyset$  (keep  $R=\emptyset$ )  $\Rightarrow Q$  remains 1,  $\bar{Q}$  remains  $\emptyset$   
Storage